



# XCMG SYDNEY

SYDNEY - CANBERRA - WOLLONGONG - SOUTH COAST

# XE80U EXCAVATOR



[xcmgsydney.com.au](http://xcmgsydney.com.au)

## PERFORMANCE, RELIABILITY & VALUE

### GLOBAL DOMINANCE

XCMG is the World's 3rd largest construction machinery manufacturer, with branches, dealers and service agents throughout Australia.

### EASY SERVICE ACCESS

All daily maintenance points are easily reached and serviced from the ground, ensuring simple day-to-day checks for the operator.

### SAFETY VALVES

Together with the blade-holding valve, the XE80U includes boom and arm safety valves as standard. This ensures the operator can handle digging and lifting tasks with maximum safety.

### EXCEPTIONAL HYDRAULICS

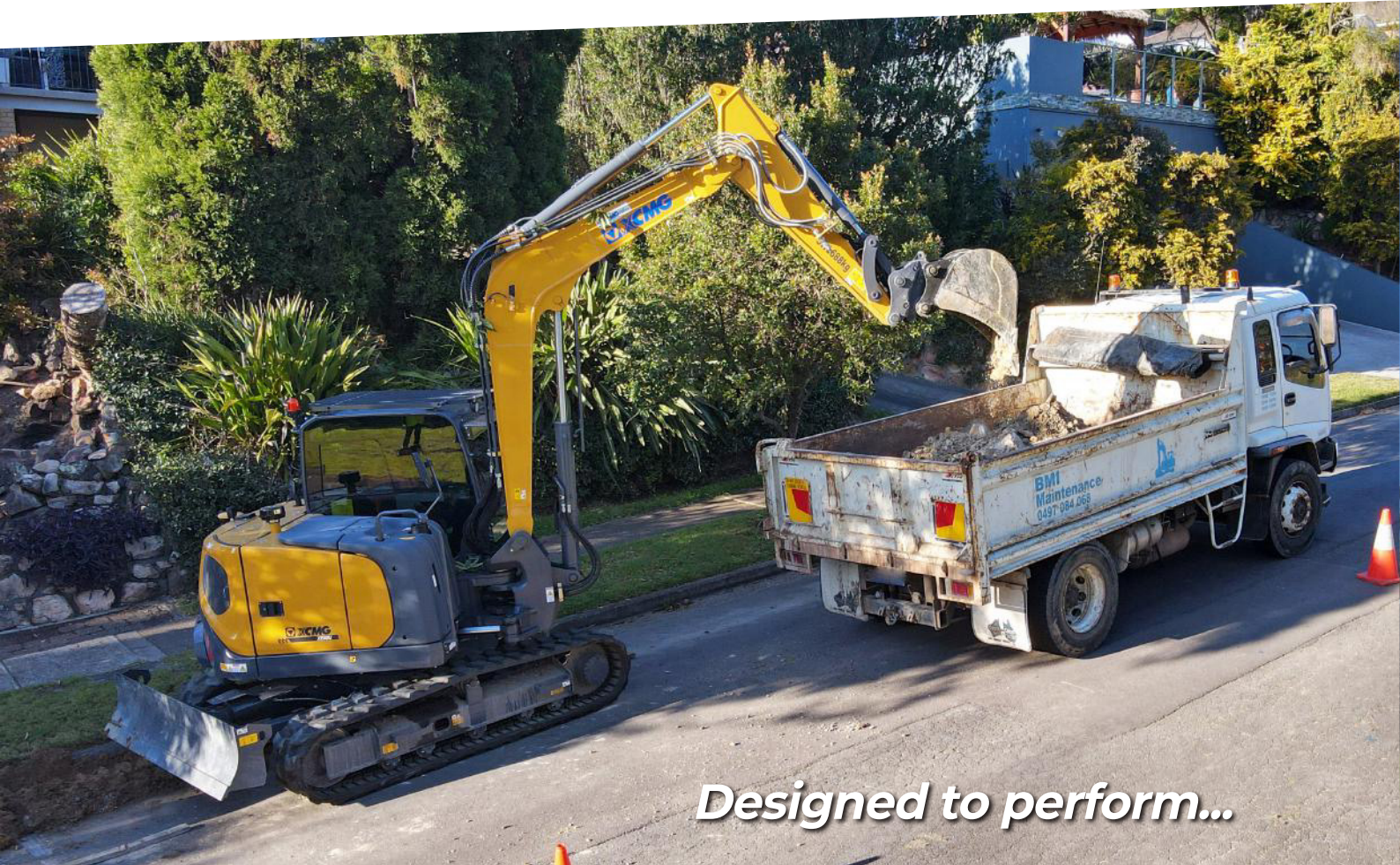
The XCMG 219 LPM hydraulic flow system delivers precise oil control to attachments using two load sensing standard hydraulic circuits.

### KUBOTA ENGINE

Renowned Kubota V3307, diesel engine - equipped with EGR, DOC, DPF and automatic dust evacuation whilst ensuring fuel efficiency and smooth control.

### INTELLIGENT DESIGN

The innovative and practical design includes a spacious ROPS and OPG climate-controlled cab and ergonomic setup with air suspension seat, delivering unmatched comfort and control.



*Designed to perform...*

# EXCAVATOR

## RELIABILITY & TRUST

XCMG's key focus is the complete satisfaction and success of every machine owner - making your business as profitable as possible.

## UNMATCHED SUPPORT

Your local dealer provides exceptional support throughout your machine's life: operation, maintenance and service from delivery to its very last day on the job.

## COMPACT DESIGN

The short boom and tail swing designs allow the operator to work in narrow areas - which makes the XE80U capable of completing complex jobs in difficult conditions.

## EFFICIENT RETURN

Main pump provides fast response, low speed, high torque, and low energy consumption creates reduced pressure loss and improved operating conditions.

## ENGINE MAINTENANCE

The XE80U has a one side maintenance design and is lower in cost with longer service intervals - resulting in reduced operating expenses, less downtime and optimal machine availability on-site.

## OPERATOR COMFORT

Air conditioning with cooling and heating temperature control, a multi-channel stereo sound system, ample storage, and colour LCD display ensures operator comfort all day long.

*...built to last.*



# XE80U



Easy service access to all componentry



Air suspension seat and user friendly joystick controls



8 inch screen display with detailed page layout



Reverse camera and back work lights

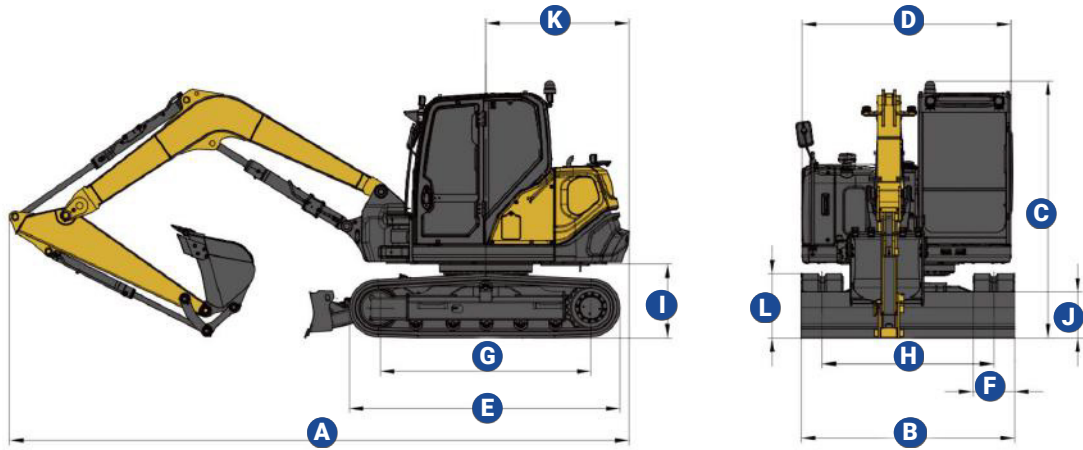
# EXCAVATOR



## ***XE80U*** LIFTING CAPACITY

| Lift Point Height | Over Front              |     |     |      |      |      |      | Over Side               |     |     |     |      |      |      | Max Radius (mm) |      |
|-------------------|-------------------------|-----|-----|------|------|------|------|-------------------------|-----|-----|-----|------|------|------|-----------------|------|
|                   | Lift at Max Radius (kg) | 1 m | 2 m | 3 m  | 4 m  | 5 m  | 6 m  | Lift at Max Radius (kg) | 1 m | 2 m | 3 m | 4 m  | 5 m  | 6 m  |                 |      |
| 6                 | 1768                    |     |     | 3436 | 2410 |      |      | 1424                    |     |     |     | 3167 | 1985 |      |                 | 4000 |
| 5                 | 1333                    |     |     | 2712 | 2471 | 1722 |      | 1075                    |     |     |     | 2712 | 1991 | 1395 |                 | 5000 |
| 4                 | 1136                    |     |     |      | 2406 | 1697 | 1268 | 914                     |     |     |     | 1928 | 1371 | 1024 |                 | 6000 |
| 3                 | 1034                    |     |     |      |      | 1639 | 1247 | 829                     |     |     |     |      | 1316 | 1004 |                 | 6000 |
| 2                 | 987                     |     |     |      |      | 1570 | 1214 | 789                     |     |     |     |      | 1251 | 973  |                 | 6000 |
| 1                 | 980                     |     |     |      |      | 1513 | 1183 | 783                     |     |     |     |      | 1196 | 943  |                 | 6000 |
| 0                 | 1016                    |     |     |      |      | 1480 | 1164 | 811                     |     |     |     |      | 1165 | 925  |                 | 6000 |
| -1                | 1077                    |     |     |      | 2009 | 1474 | 1166 | 883                     |     |     |     | 1556 | 1160 | 927  |                 | 6000 |
| -2                | 688                     |     |     |      | 1639 | 1293 |      | 688                     |     |     |     | 1586 | 1182 |      |                 | 5000 |

# XE80U SPECIFICATIONS



| XE80U | A    | B    | C    | D    | E    | F   | G    | H    | I     | J     | K         | L   |
|-------|------|------|------|------|------|-----|------|------|-------|-------|-----------|-----|
| mm    | 6585 | 2300 | 2730 | 2250 | 2900 | 450 | 2272 | 1850 | 818.5 | 386.5 | 1450/1545 | 698 |

## KEY PERFORMANCE SPECIFICATIONS

|                      |                                       |                            |
|----------------------|---------------------------------------|----------------------------|
| Key Specs            | Operating Weight:                     | 9500 kg                    |
|                      | Engine Model:                         | Kubota/V3307CRTE5          |
|                      | Maximum Torque:                       | 265/1500 N.m               |
|                      | Maximum Power:                        | 54.6 kW @ 2200 rpm         |
|                      | Fuel Tank Capacity:                   | 130 L                      |
|                      | Piston Displacement:                  | 3.3 L                      |
|                      | Maximum Travel Speed:                 | 2.7 - 4.9 kmph             |
|                      | Grade Ability:                        | 35 °/70%                   |
|                      | Ground Pressure:                      | 39.3/42.3 kPa              |
|                      | Arm Length:                           | 1820mm                     |
|                      | Safety Valves:                        | Yes, Included as Standard  |
|                      | Bucket / Arm Digging Forces:          | 64/41 kN                   |
|                      | Minimum Swing Radius:                 | 620/500 mm                 |
|                      | Maximum Dig Height / Depth:           | 6850/3993 mm               |
|                      | Maximum Swing Speed:                  | 12 rpm                     |
|                      | Maximum Swing Torque:                 | 364 kN.m                   |
|                      | Maximum Traction:                     | 64 kN                      |
| Maximum Dump Height: | 4988 mm                               |                            |
| Operator Station     | Canopy / Cabin Type:                  | Enclosed Cabin             |
|                      | Canopy / Cabin Safety:                | ROPS & FOPS                |
|                      | Seat:                                 | Air Suspension             |
| Hydraulics           | Display Screen:                       | Yes, Included as Standard  |
|                      | Pump Make:                            | XCMG                       |
|                      | Hydraulic Pump Type:                  | Load Sensing Pump          |
|                      | Maximum Flow:                         | 219 LPM @ 2100 rpm         |
|                      | Displacement:                         | 104.3 cm <sup>3</sup> /rev |
|                      | Relief Pressure Valve:                | 326.4 kgf/cm <sup>3</sup>  |
|                      | Hydraulic Circuits:                   | AUX1 & AUX2                |
| Additional Features  | Track Shoe Width:                     | 450 mm                     |
|                      | Emergency Stop:                       | Yes, Included as Standard  |
|                      | Front Work Lights:                    | Yes, Included as Standard  |
|                      | Reverse Camera:                       | Yes, Included as Standard  |
|                      | Travel Alarm:                         | Yes, Included as Standard  |
| Bucket/s Included:   | Standard Capacity 0.35 m <sup>3</sup> |                            |

Note: specifications listed above are correct at March 2022 and are subject to change any time.

# ABOUT US

## INDUSTRY EXPERTISE

XCMG is one of Australia's fastest growing construction, mining and agriculture equipment suppliers.

Offering premium quality excavators, wheel loaders, compaction rollers, graders, elevated work platforms and more, XCMG has the products and the support to keep you working on any job site.

## MACHINERY SALES

XCMG know construction, mining and agri machinery. Count on our dedicated and knowledgeable team of product experts to take the time to understand and satisfy your machinery needs by recommending the right solution for the job.

## AFTERMARKET SUPPORT

We're here to help keep you and your machine working. With an exceptional over-the-counter fill rate on spare parts, you're assured that when you buy an XCMG machine, you'll be looked after throughout your machine's entire lifetime, from start to finish.

Every service job is as important to us as it is to you, and with a dedicated team of machinery technicians, we have ample resources to look after any of your machine repairs or servicing requirements quickly and efficiently.

## RENTALS & HIRE

If you need a high-performance machine with reliability you can trust, and the flexibility of hiring, we have you covered.

Our fleet is diverse, with machines to suit almost any job. Furthermore, because our rental fleet is maintained by factory-trained technicians, you can be confident that you'll not only be getting the best machines on the market, but that it's going to work as hard as you do, day-in day-out.

## ABOUT

*The World's 3rd largest manufacturer of construction and mining equipment.*

*Founded in 1943 - equipped with more than 8 decades of experience in the industry.*

*Manufacturing facilities located around the world: USA, Germany, China, Brazil and India.*

*Extensive supply chain and dealer network throughout Australia offering premium aftersales service and parts support.*

*Deep relationships with corporate giants Rio Tinto, BHP and MMG in Australia.*

## MINI / LARGE EXCAVATORS

*1 to 100+ Tonne*

## WHEEL LOADERS

*5 to 100 Tonne*

## COMPACTION ROLLERS

*1.5 to 30 Tonne Smooth & Padfoot*

## GRADERS

*7.5 to 70 Tonne*

## ACCESS EQUIPMENT

*Lift Heights from 5 to 21 Metres*

## MINING TRUCKS

*20 to 100 Tonne*

**FIND OUT MORE & LOCATE YOUR NEAREST DEALER:**

**[xcmgsydney.com.au](http://xcmgsydney.com.au)**

**“XCMG: FOR YOUR SUCCESS”**



# XCMG SYDNEY

**SYDNEY - CANBERRA - WOLLONGONG - SOUTH COAST**

## **YOUR LOCAL XCMG DEALER:**

---

**SYDNEY:** 119-125 Hume Highway, Chullora, NSW, 2190

**CANBERRA:** Lot 5, 44 Railway Street, Oakes Estate. ACT 2620

**WOLLONGONG:** 10 Harris Street, Port Kembla, 2505

---

**(02) 9099 9774**

[sales@xcmgsydney.com.au](mailto:sales@xcmgsydney.com.au)



[xcmgsydney.com.au](http://xcmgsydney.com.au)