



XCMG SYDNEY

SYDNEY - CANBERRA - WOLLONGONG - SOUTH COAST

XE370D

LARGE EXCAVATOR



xcmgsydney.com.au

XE370D

PERFORMANCE, RELIABILITY & VALUE

GLOBAL DOMINANCE

XCMG is the World's 3rd largest construction machinery manufacturer, with branches, dealers and service agents throughout Australia.

EASY SERVICE ACCESS

All daily maintenance points are easily reached and serviced from the ground, ensuring simple day-to-day upkeep for the operator.

ISUZU ENGINE

Renowned Isuzu stage 3 emission certified engine delivering maximum power and torque plus exceptional reliability and longevity - whilst also being energy efficient and environmentally friendly.

EXCEPTIONAL HYDRAULICS

Class-leading 2x304 LPM hydraulic system delivers exceptional flow rates to attachments, with hammer bi-directional piping.

INTELLIGENT DESIGN

The innovative and practical design includes a Spacious climate-controlled cab and ergonomic setup, delivering unmatched comfort and control.

EMERGENCY STOPS

XCMG puts safety first by including in-cabin and external emergency stops reachable from the ground, further enhancing your operational safety and peace of mind.



Designed to perform...

LARGE EXCAVATOR

ENCLOSED CABIN

ROPS and FOPS certified cabin with top, front and side guards to meet anti-falling requirements and is durable and robust to handle severe impact, ensuring operator safety under all conditions.

IMPROVED MOVEMENT

Large diameter multi-way control valve reduces internal pressure loss and improves maneuverability. Plus, the smart electronic control system can achieve dynamic balance between power and hydraulics.

RELIABILITY & TRUST

XCMG's key focus is the complete satisfaction and success of every machine owner - making your business as profitable as possible.

BUCKET KIT

Included with every XE370D is a premium 1.6m³ bucket and standard 3.2m arm. Also available are optional rock and earth buckets in various sizes, and shorter arms as a special order.

UNMATCHED SUPPORT

Product experts at your local dealer provide exceptional support throughout your machine's lifetime: operation, maintenance and service from the delivery date through to its very last day on the job.

OPERATOR COMFORT

Air suspension seat, air conditioning with cooling and heating temperature control, plus a multi-channel stereo sound system, ensures operator comfort all day long.



...built to last.

XE370D

PERFORMANCE, RELIABILITY & VALUE

FUEL FILTER

Two stage fuel filter can protect the fuel system, oil and water separator with higher particle filtration accuracy and better oil adaptability, thus creating less maintenance.

SMART DISPLAY

LED colour display with remote fault diagnosis, operation process recording, machine maintenance reminders and reversing camera creates an easier working environment for the operator.

POWERFUL SYSTEMS

The reinforced working equipment and high-pressure system create a powerful digging force better than many other machines in this size class, and a guaranteed long service life.

LUBRICATION SYSTEM

The centralised lubrication system makes daily greasing easier by providing efficient access to lubrication points on the working equipment. This creates less overall maintenance for the operator.

CONTROL SYSTEM

Intelligent electronic control system can achieve optimal matching of engine speed and hydraulic pump - offering a dynamic balance between power and hydraulic performance.

HEAVY DUTY CHASSIS

A full-size heavy duty reinforced chassis, along with reinforced working equipment, ensures the stability of the whole machine - even with the powerful digging force in action.



Designed to perform...

LARGE EXCAVATOR

VISIBILITY PLUS

In addition to the 360 degree visibility offered by the XE370D's window design, also included as standard is a luxurious interior with a panoramic sunroof.

HEAVY DUTY STRUCTURE

High-strength, wear-resistant steel is used to manufacture the structure and parts of the XE370D, prolonging the service life and better durability in all working conditions.

MULTIPLE APPLICATIONS

Multi-functional machine system meets various job requirements such as digging, crushing, and thumb clamp - plus different boom, stick and bucket combinations to suit multiple conditions.

STRENGTHENED PARTS

The XE370D has strengthened key stress-bearing parts in the chain links, creating better durability and longer lasting tracks.

SHOCK ABSORPTION

High-performance silicone oil shock absorber with internal damping spring isolates multiple shock waves in specific frequency bands, for improved overall comfort.

EXTRA SAFETY FEATURES

Also included is a lock switch start, power main switch installed outside, guardrail, slewing, walking and reversing alarms, plus work light for operator and bystander safety.



...built to last.

XE370D



LARGE EXCAVATOR



XE370D



Low emission and high-torque engine



Heavy duty reinforced chain links



LED screen for information at a glance



LARGE EXCAVATOR

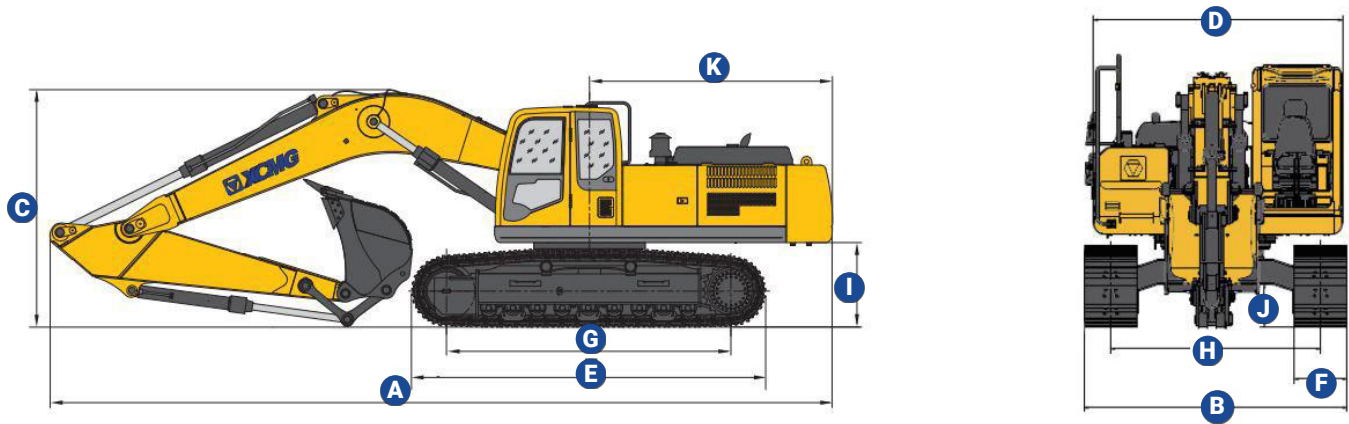


XE370D LIFTING CAPACITY

XE370D		Standard arm; 3.2m, Bucket: 1.6m ³ . Shoe: 600mm									
Reach from swing centerline to bucket hook.		3m		4.5m		6m		7.5m		At Max. Reach	
Bucket hook height above/below ground.		Over Front	Over Side	Over Front	Over Side	Over Front	Over Side	Over Front	Over Side	Over Front	Over Side
8.7m	kg									*9088	*9087
7.5m	kg									*8759	7142
6m	kg					*9301	*9301	*8722	7713	8695	6954
4.5m	kg			*13404	*13404	*10573	10260	*9236	7543	*8759	6181
3m	kg					*12055	9727	*9953	7249	8863	5791
1.5m	kg					*13280	9278	*10615	6976	8723	5647
Ground Line	kg			*18702	13009	*13851	8943	*10905	6802	8991	5746
-1.5m	kg	*14413	*14413	*18483	12951	*13353	8834	*10882	6773	*9806	6183
-3m	kg	*25586	24981	*16449	13009	*11171	8927			*11064	7146
-4.5m	kg	*20382	*20382	*13953	13405					*12708	9562

* Are limited by hydraulic capacities.

XE370D SPECIFICATIONS



XE370D	A	B	C	D	E	F	G	H	I	J	K
mm	11388	3190	3530	3050	5035	600	4040	2590	1197	500	3700

KEY PERFORMANCE SPECIFICATIONS

Key Specs	Operating Weight:	36800 kg
	Engine Model:	Isuzu GH-6HK1XKSC-03
	Maximum Power:	212 kW @ 2000 rpm
	Maximum Torque:	1080 nM / 1500 rpm
	Maximum Travel Speed:	5.40 kmph
	Grade Ability:	70 %
	Ground Pressure:	66.7 kPa
	Arm / Boom Length:	3200mm / 6400mm
	Safety Valves:	Yes, Included as Standard
	Bucket / Arm Digging Forces:	263 / 188 kN
	Rotary Speed:	9.7 rpm
	Maximum Dig Height / Depth:	10445 mm / 6776 mm
Operator Station	Maximum Dump Height:	7287 mm
	Canopy / Cabin Type:	Enclosed Cabin
	Canopy / Cabin Safety:	ROPS & FOPS
	Seat:	Air Suspension
Hydraulics	Display Screen:	Yes, Included as Standard
	Pump Type:	Miller Hydraulic Quick Change and Pipeline
	Pump Make:	Kawasaki K5V160DTH
	Slew Pump Make:	XCMG
	Wheel Motor Make:	XCMG
	Hydraulic Piping:	Bidirectional
	Hydraulic System Flow:	2x304 LPM
Additional Features	Pressure of Pilot System:	3.9 MPa
	Track Shoes:	600 mm
	Emergency Stop:	Yes, one in cab and one outside
	Front Work Lights:	Yes, Included as Standard
	Amber Rotating Beacon:	Yes, Included as Standard
	Reversing Alarm:	Yes, Included as Standard
	Rear View Mirrors:	Yes, Included as Standard
	Lockable Battery Isolator:	Yes, Included as Standard
Bucket/s Included:	1.6 m ³	

Note: specifications listed above are correct at March 2022 and are subject to change any time.

ABOUT US

INDUSTRY EXPERTISE

XCMG is one of Australia's fastest growing construction, mining and agriculture equipment suppliers.

Offering premium quality excavators, wheel loaders, compaction rollers, graders, elevated work platforms and more, XCMG has the products and the support to keep you working on any job site.

MACHINERY SALES

XCMG know construction, mining and agri machinery. Count on our dedicated and knowledgeable team of product experts to take the time to understand and satisfy your machinery needs by recommending the right solution for the job.

AFTERMARKET SUPPORT

We're here to help keep you and your machine working. With an exceptional over-the-counter fill rate on spare parts, you're assured that when you buy an XCMG machine, you'll be looked after throughout your machine's entire lifetime, from start to finish.

Every service job is as important to us as it is to you, and with a dedicated team of machinery technicians, we have ample resources to look after any of your machine repairs or servicing requirements quickly and efficiently.

RENTALS & HIRE

If you need a high-performance machine with reliability you can trust, and the flexibility of hiring, we have you covered.

Our fleet is diverse, with machines to suit almost any job. Furthermore, because our rental fleet is maintained by factory-trained technicians, you can be confident that you'll not only be getting the best machines on the market, but that it's going to work as hard as you do, day-in day-out.

ABOUT

The World's 3rd largest manufacturer of construction and mining equipment.

Founded in 1943 - equipped with more than 8 decades of experience in the industry.

Manufacturing facilities located around the world: USA, Germany, China, Brazil and India.

Extensive supply chain and dealer network throughout Australia offering premium aftersales service and parts support.

Deep relationships with corporate giants Rio Tinto, BHP and MMG in Australia.

MINI / LARGE EXCAVATORS

1 to 100+ Tonne

WHEEL LOADERS

5 to 100 Tonne

COMPACTION ROLLERS

1.5 to 30 Tonne Smooth & Padfoot

GRADERS

7.5 to 70 Tonne

ACCESS EQUIPMENT

Lift Heights from 5 to 21 Metres

MINING TRUCKS

20 to 100 Tonne

FIND OUT MORE & LOCATE YOUR NEAREST DEALER:

xcmgsydney.com.au

“XCMG: FOR YOUR SUCCESS”



XCMG SYDNEY

SYDNEY - CANBERRA - WOLLONGONG - SOUTH COAST

YOUR LOCAL XCMG DEALER:

SYDNEY: 119-125 Hume Highway, Chullora, NSW, 2190

CANBERRA: Lot 5, 44 Railway Street, Oakes Estate. ACT 2620

WOLLONGONG: 10 Harris Street, Port Kembla, 2505

(02) 9099 9774

sales@xcmgsydney.com.au



xcmgsydney.com.au